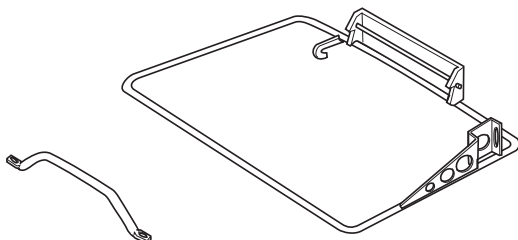
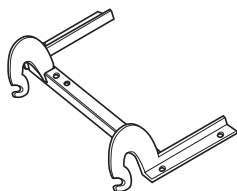
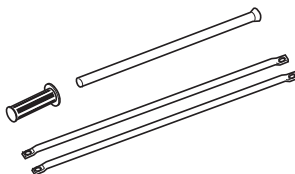
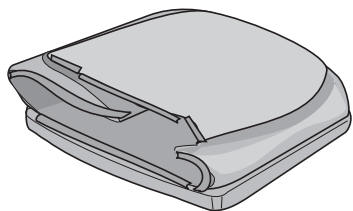
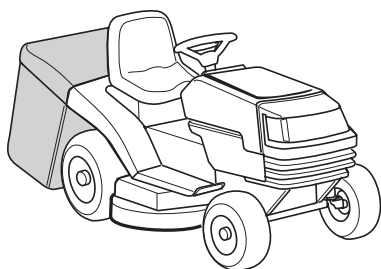




English	→	8
Français	→	10
Deutsch	→	12
Nederlands	→	14
Italiano	→	16
Español	→	18
Svenska	→	20
Dansk	→	22
Norsk	→	24
Suomi	→	26
Português	→	28
Ελληνικά	→	30
Magyar	→	32
Polski	→	34
Česky	→	36
Slovensky	→	38
Românește	→	40
Slovensko	→	42
Hrvatski	→	44
Srpski	→	46
Русский	→	48
Български	→	50
Eesti	→	52
Lietuviškai	→	54
Latviešu valodā	→	56
Македонски	→	58



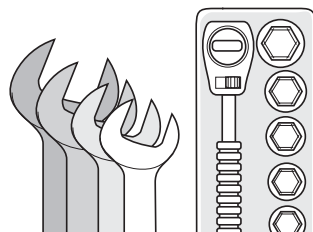
F 8x

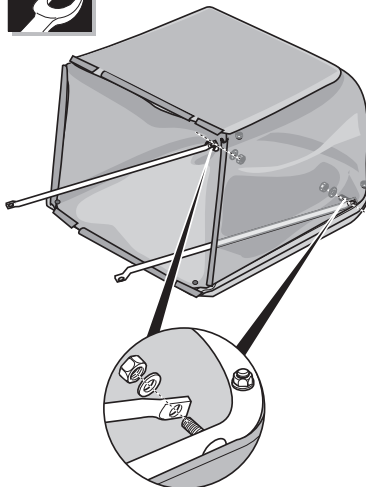
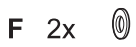
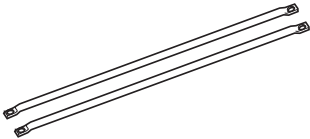
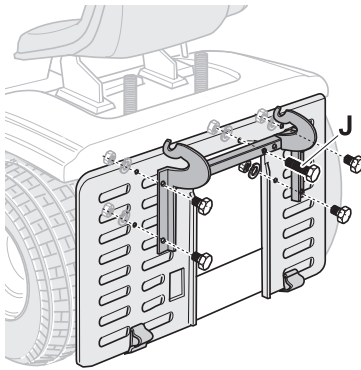
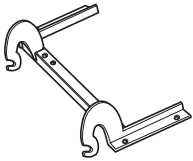
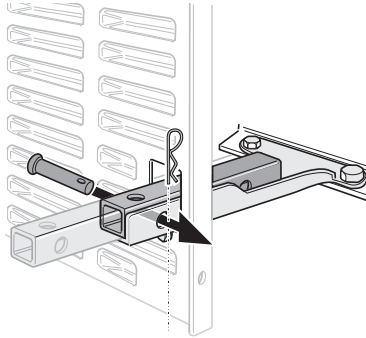
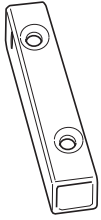
G 8x

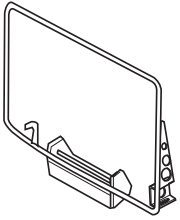
H 4x

I 2x

J



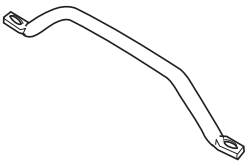
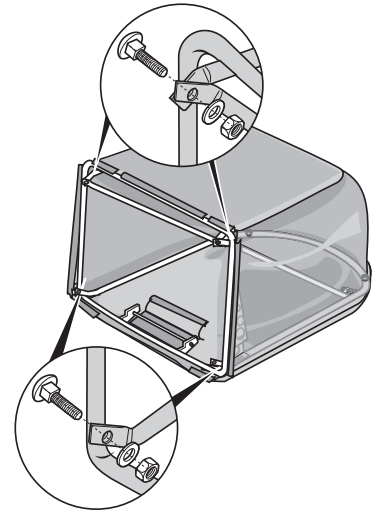
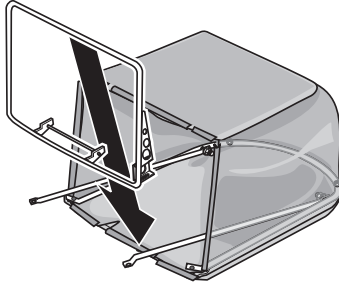




F 4x 

G 4x 

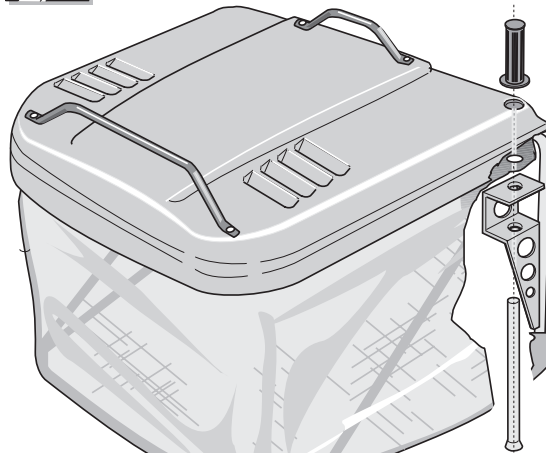
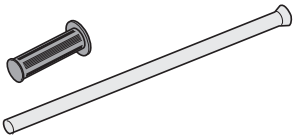
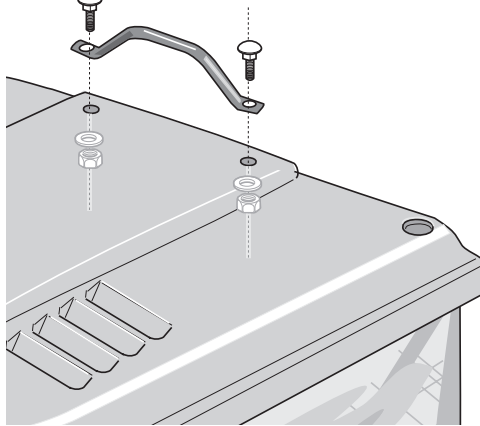
H 4x 

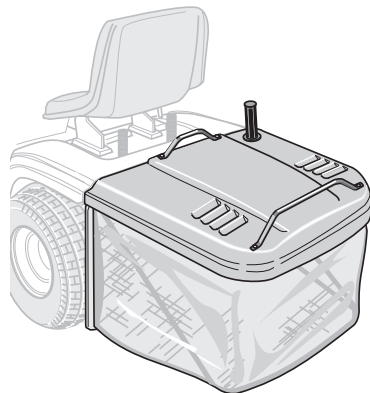
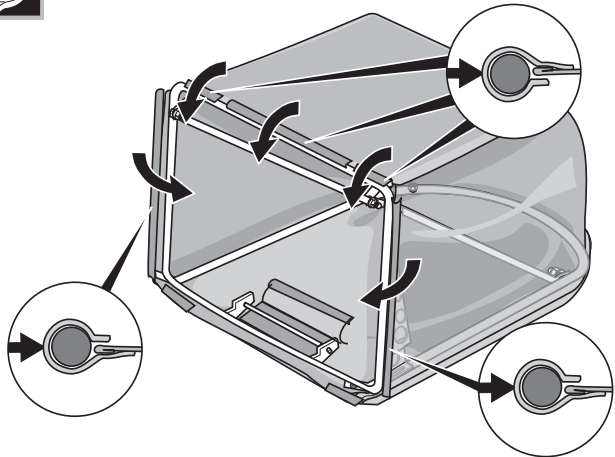
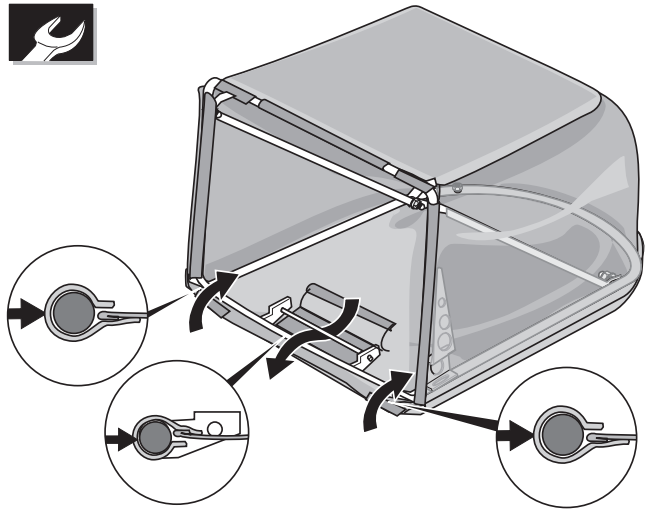


F 2x 

G 2x 

I 2x 





For Your Safety

Observe the safety and operating instructions

Before using the grass catcher attachment for the first time, read these Assembly and Operating Instructions carefully and completely. Observe all safety information while operating the unit.

Make certain that

- You are personally familiar with all relevant information.
- That all persons operating this equipment have received instructions regarding the information contained herein, and that they have understood the information.

Observe also all safety and operating instructions applying to the lawn tractor to which this grass catcher will be attached.

Safety instructions Prior to any work on the machine

- Shut OFF the engine.
- Wait until all moving parts have come to a standstill.
- Remove the spark plug connector of the lawn tractor to prevent accidental starting of the engine.

During operation

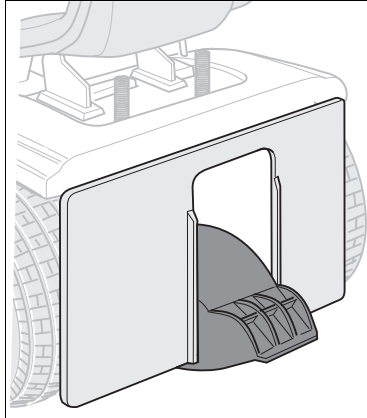
INJURY HAZARD – Keep all personnel, and especially children, out of range of the working equipment. Keep pets leashed at a safe distance.

Safety Feature

for protection against injury and damage to property

In equipment with discharge flap

The discharge flap (see illustration) is a safety device which protects you from injury. The tractor may ONLY be operated with the discharge flap attached.



In equipment without discharge flap

When the cutting mechanism is switched on, the safety shut-off system is activated. This switches off the cutting mechanism or the engine automatically when

- the grass catcher attachment is emptied
- the grass catcher attachment is removed (e.g. for operating with the trailer).

Proper Use of the Equipment

This equipment is designed for use

- as a grass catcher for attachment to a garden tractor
- pursuant to the instructions and safety information provided in the present Assembly and Operating Instructions.

Any use that exceeds the above restrictions must be considered improper and unsafe. The manufacturer shall not be liable for any damages resulting from improper use, the owner bears the sole risk for such operation.

Unauthorised modifications made to the unit shall render null and void any liability on the part of the manufacturer for damages resulting from such modifications.

Unpacking / Assembly

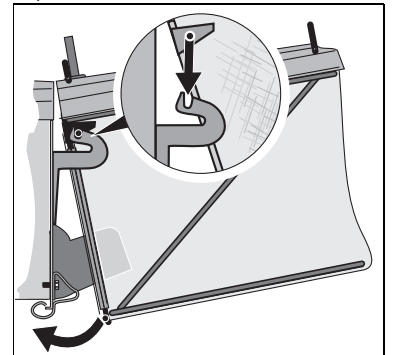
Assembly

Assemble the catcher as shown in the illustrations at the front of these instructions.

Operating the Grass Catcher

Attaching the grass catcher

- Hang grass catcher onto mounting at rear of tractor and press downwards until it locks into place.



Detaching the grass catcher

- Take hold of grass catcher by both handles and lift upwards to remove.

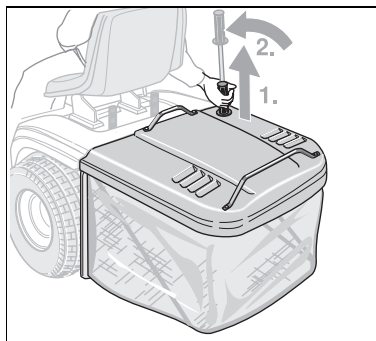
Emptying the grass catcher

When cuttings are left lying on the ground, or when the control device for the filling height (optional) switches the cutting mechanism/engine off.

Switch off cutting mechanism:

- Pull lever upwards out of grass catcher as far as it will go.

- Swivel lever towards front so that contents are tipped out of grass catcher.



To close:

- Swivel lever towards the rear until the grass catcher attachment locks into place.
- Slowly take the lever down into the start position.

Working without the grass catcher In equipment with discharge flap

As soon as you remove the grass catcher, the discharge flap will flip over, blocking the rear discharge. When operating without the grass catcher, the clippings will be ejected downward.

Pulling a trailer

⚠ Drive only with cutting mechanism switched off

- Remove the grass catcher from the tractor.
- Attach the trailer to the hitching device, and secure.

Cleaning

DO NOT use a high-pressure washer, because the grass catch bag could be damaged by the high-velocity water jet.

The most effective cleaning procedures are performed immediately after using the lawnmower.

- Remove and empty the grass catcher attachment.
- The grass catch bag and the discharge flap can now be washed down with a strong water jet from the garden hose.
- In addition, the discharge flap may be cleaned with a handle brush.
- Allow the grass catcher attachment to dry thoroughly before using it again.

Troubleshooting

Problem	Possible cause	Remedy
Clippings are not longer conveyed into the grass catch bag.	Discharge flap is blocked.	Remove grass catcher attachment, and clean discharge flap (see Cleaning, above).
	Excessive tractor driving speed.	Reduce driving speed.
	Setting for cutting height is too low.	Increase setting for cutting height.
	Grass catch bag full	Empty grass catch bag
Clippings are conveyed into the grass catch bag at a reduced volume.	Air movement is restricted due to blocking/matting of mesh fabric of grass catch bag with accumulation of clipping residue.	Remove grass catch bag, and clean (see Cleaning, above).